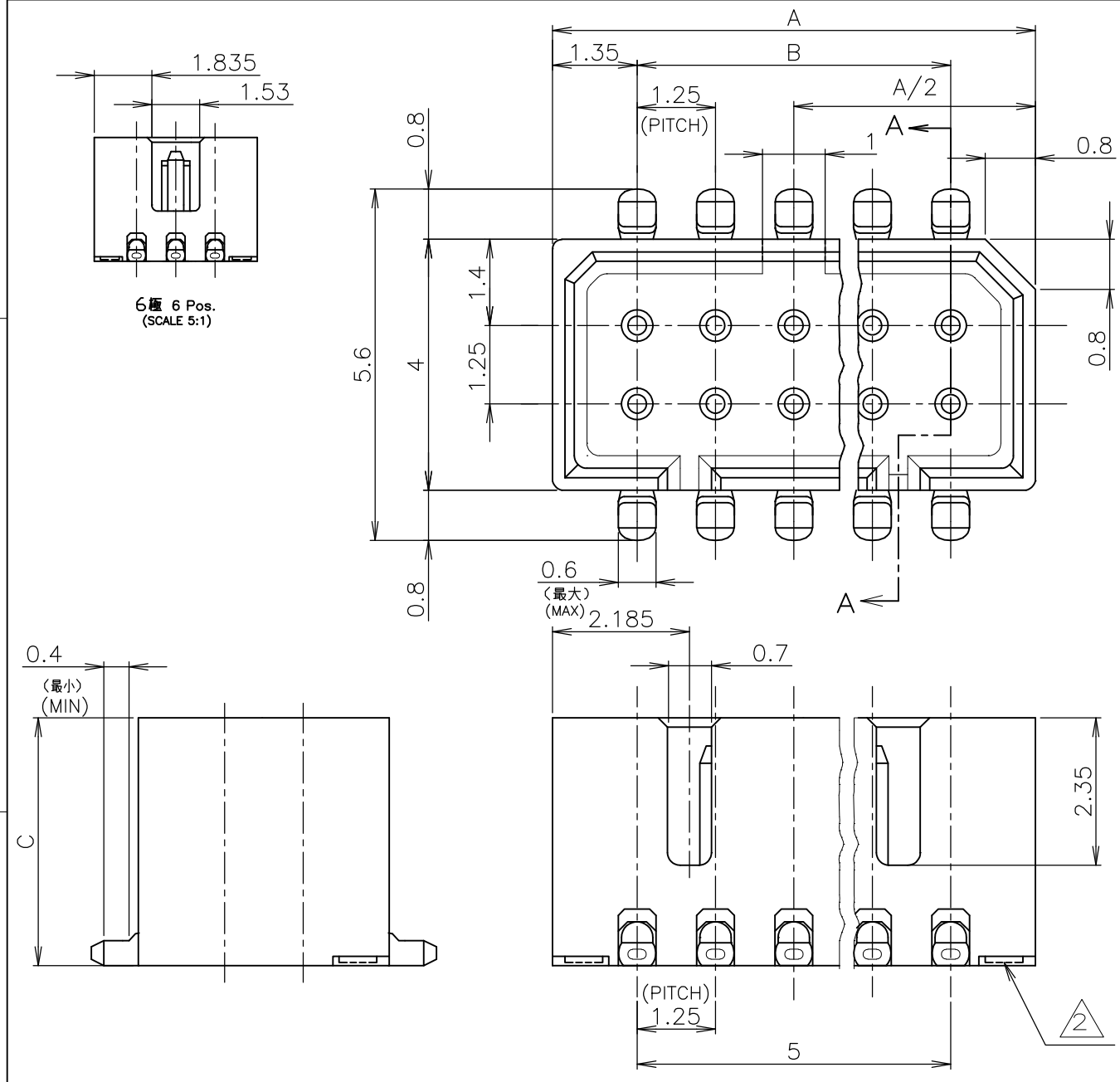


THIS DRAWING IS UNPUBLISHED. RELEASED FOR PUBLICATION
 © COPYRIGHT BY TYCO ELECTRONICS CORPORATION. ALL RIGHTS RESERVED.

LOC	DIST	REVISIONS					
		P	LTR	DESCRIPTION	DATE	DWN	APVD
J			K	REVISED FJB0-0267-03	09MAY03	T.T	H.M
			K1	REV PER ECO-10-000443	16JAN10	KK	AEG

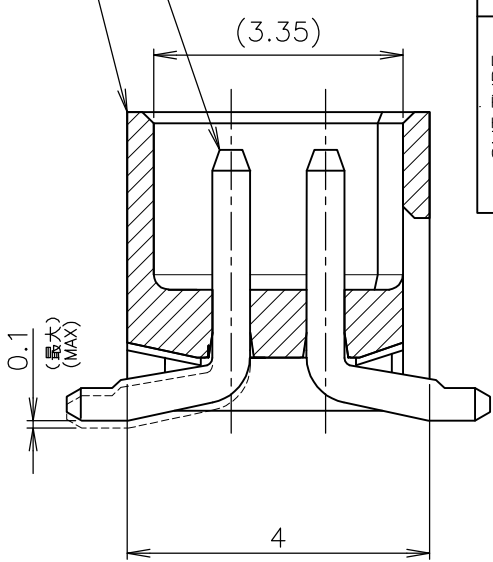


HEADER HOUSING
 ヘッダーハウジング

(PPS UL94V-0)
 COLOR : BLACK

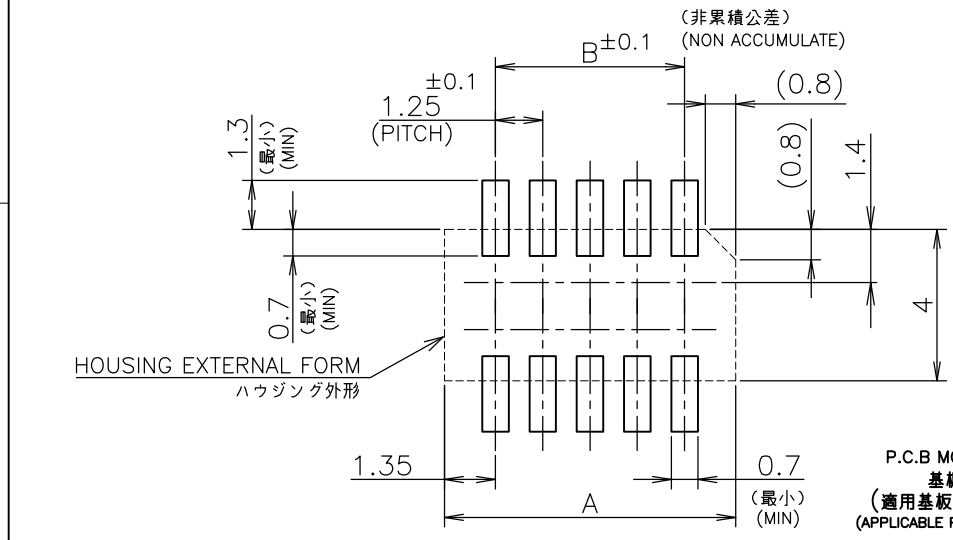
POST
 ポスト

(黄銅線
 BRASS WIRE)
 φ0.5



SECT A-A

10極以上
 10Pos. AND MORE



P.C.B MOUNTING LAYOUT
 基板加工寸法
 (適用基板厚 : 0.6mm 最小)
 (APPLICABLE P.C.B THK : 0.6mm MIN)

注記
 NOTE 1 嵌合相手製品型番及び、嵌合時寸法は
 MATING COUNTER PART NUMBER AND DIMENSIONS
 表-1 参照のこと。
 AFTER MATING: SEE TABLE 1.
 基板位置決め用ボス切断跡。
 CUT MARK OF POSITIONER BOSS.

③ 仕上げ：錫めっき(材料めっき)リフロ-
 FINISH ; PLI-TIN REFLOW
 ④ 仕上げ：ニッケル下地錫めっき(後めっき)
 FINISH ; TIN PL.
 Ni UNDER PL. ALL OVER
 ⑤ OBSOLETE PARTS: OBSOLETE CIS STREAMLINING
 PER D.RENAUD/D.SINISI

嵌合時寸法:巾(mm)x高さ(mm)
 DIMENSIONS AFTER MATING : WIDTH(mm) x HEIGHT(mm)

嵌合相手側 MATING COUNTER コネクタ CONN RECE HDR ASSY	SMT TYPE X-174645-X ボス無 WITHOUT BOSS			
	ハウジング高さC寸法 HOUSING HEIGHT C DIMENSIONS			
	3.95	5.45	5.95	
DIP TYPE	V TYPE X-174635-X X-176870-X	5.6(巾W)x 5.0(高H)	5.6(巾W)x 6.5(高H)	5.6(巾W)x 7.0(高H)
	H TYPE X-174636-X X-176892-X	5.6(巾W)x 5.8(高H)	5.6(巾W)x 7.3(高H)	5.6(巾W)x 7.8(高H)
SMT TYPE	V TYPE ボス無 WITHOUT BOSS X-174904-X X-176768-X ボス付 WITH BOSS X-174639-X X-176311-X	5.6(巾W)x 5.0(高H)	5.6(巾W)x 6.5(高H)	5.6(巾W)x 7.0(高H)
	H TYPE ボス無 WITHOUT BOSS X-174905-X X-176893-X ボス付 WITH BOSS X-174640-X X-176490-X	5.6(巾W)x 6.9(高H)	5.6(巾W)x 7.9(高H)	5.6(巾W)x 8.9(高H)

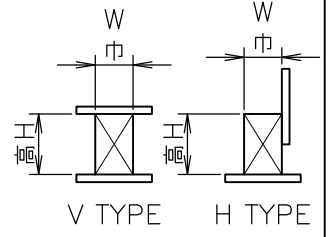


TABLE 1
 表-1 SMT TYPEは、巾及び高さ寸法に
 SMT TYPE INCLUDE DIMENSIONS
 半田付タイプ寸法を含みます。
 OF SOLDER DIP TIME.

⑤ OBSOLETE	④	'B'		8.75	11.45	16	7	6
	④			5.95	6.25	8.95	12	-2
⑤ OBSOLETE	④			13.75	16.45	24	5	4
	④			12.50	15.20	22	5	-2
⑤ OBSOLETE	④			11.25	13.95	20	5	0
	④			10.00	12.70	18	4	-8
	④			8.75	11.45	16	4	-6
⑤ OBSOLETE	④	'A'		7.50	10.20	14	4	-4
	④			6.25	8.95	12	4	-2
⑤ OBSOLETE	④			5.00	7.70	10	4	-0
⑤ OBSOLETE	④	'B'	3.95	2.50	5.20	6	3	-6
	④	'A'		11.25	13.95	20	2	-0
	④	'B'		8.75	11.45	16	1	-6
	④	'A'	5.45	7.50	10.20	14	1	-174645-4
仕上げ FINISH	ボス形状 BOSS TYPE	C	B	A	極数 Pos.	型番 P/N		

THIS DRAWING IS A CONTROLLED DOCUMENT.		DWN J.TANIGAWA 03JUL89	Tyco Electronics AMP K.K. Kawasaki, Japan	
DIMENSIONS: 単位: 概 MM		CHK S.KUKUCHI 03JUL87		
TOLERANCES UNLESS OTHERWISE SPECIFIED: 一般公差		APVD N.ONOUE 03JUL87	NAME 名称 1.25 F-P CONNECTOR (B-TO-B) DOUBLE ROW POST HDR ASSY SMT TYPE WITHOUT BOSS	
0 PLC ± 1 PLC ± 2 PLC ± 3 PLC ± 4 PLC ± ANGLES ±		PRODUCT SPEC 製品規格 108-5246	SIZE A3	
MATERIAL 材料		APPLICATION SPEC 取付適用規格	CAGE CODE 00779	DRAWING NO 番号 C-174645
FINISH 仕上		WEIGHT	RESTRICTED TO	
④		CUSTOMER DRAWING		SCALE 尺度 10:1
③		SHEET 1 OF 1		REV K1